



## BICYCLE MAINTENANCE TRACKER

FREE APP FOR IPHONE &  
ANDROID SMART PHONES

- YOUR BICYCLE MAINTENANCE LOG AT YOUR FINGERTIPS
- SET REMINDERS FOR FUTURE CHECKS AND MAINTENANCE
- KEEP TRACK OF YOUR COMPONENTS AND SERIAL NUMBERS
- STORE INFORMATION FOR MULTIPLE BIKES



SEE WEBSITE FOR WARRANTY DETAILS & TERMS OF USE

PLEASE REGISTER YOUR FEEDBACK SPORTS PRODUCTS ON OUR SITE  
VISIT: [WWW.FEEDBACKSPORTS.COM/PRODUCT-REGISTRATION](http://WWW.FEEDBACKSPORTS.COM/PRODUCT-REGISTRATION)

**DEDICATED TO CREATING PRODUCTS TO SUPPORT  
CYCLISTS & MECHANICS AROUND THE WORLD**

**FEEDBACKSPORTS.COM**



CONNECT WITH US ©2017 FEEDBACK SPORTS

FEEDBACK SPORTS & THE FEEDBACK SPORTS LOGO ARE REGISTERED TRADEMARKS OF  
FEEDBACK SPORTS, LLC / GOLDEN, COLORADO  
720.536.2369 / [INFO@FEEDBACKSPORTS.COM](mailto:INFO@FEEDBACKSPORTS.COM)

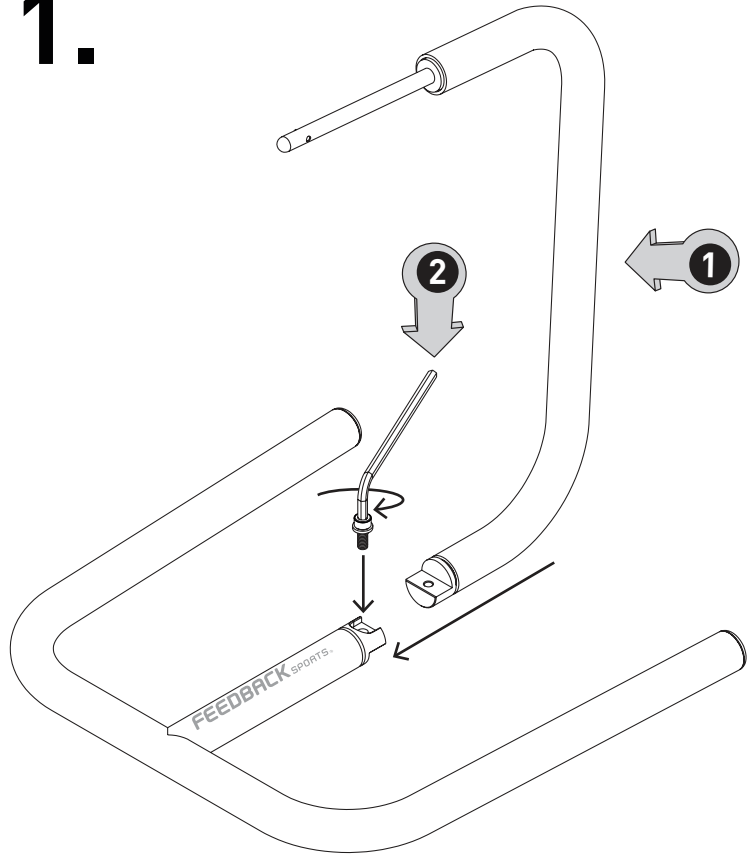


USER MANUAL  
**SCORPION**

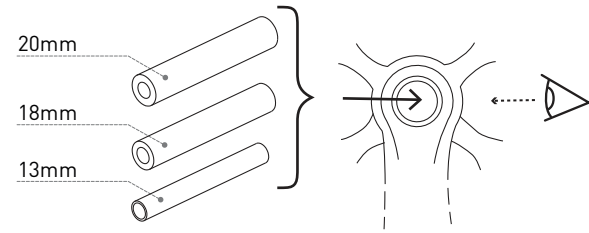


PRICE LABEL

# 1.



# 2.



# 3.

