



**RK-B RAKK**  
Spring-loaded arm holds bike by the tire. Easily holds front or rear wheel without the risk of scratching rim or spokes. Wheel slot accommodates all types of bikes - road, mountain, cross, BMX and tandems. Holds 20 mm road tires up to 2.4" wide MTB tires in size 20" to 29" wheels. Attach several RAKK together to create a store display.

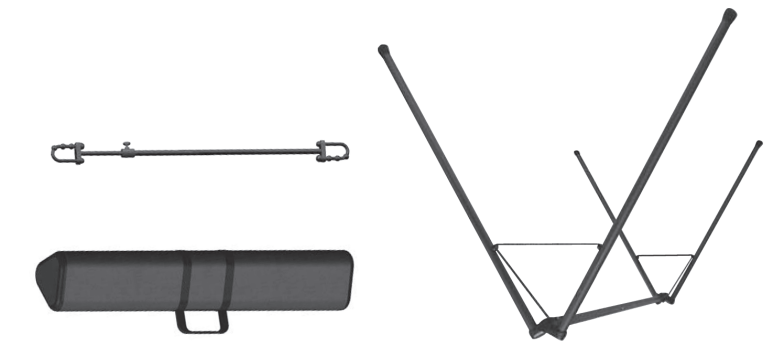
**ALPINE DIGITAL SCALE, TABLETOP GRAM SCALE, & DIGITAL CALLIPER**  
Digital scales specifically designed to weigh bicycles, wheels, and other sports equipment. Our Calliper has a quick reference chart on the back to take the guesswork out of common bicycle measurements.



FEEDBACK SPORTS, LLC  
GOLDEN, COLORADO

[www.feedbacksports.com](http://www.feedbacksports.com)

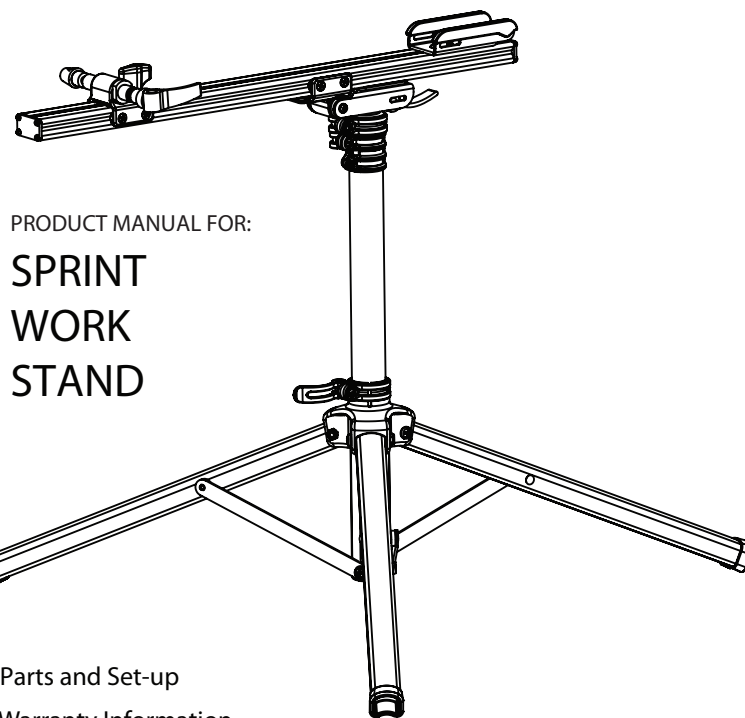
1(800) 975-2854 [info@feedbacksports.com](mailto:info@feedbacksports.com)



**TOTE BAGS**  
Use a Feedback Tote Bag for convenient travel or storage of your Repair Stands. This keeps the jaw mechanisms free of excess dust as well as protecting the stand's finish.

**PSS-80BT PORTABLE STORAGE STAND**  
Portable and easy to set up, the PSS-80RT is perfect for race event staging areas, retail floors and anywhere else you need to store multiple bikes. The stand holds up to 8 bikes by their saddles. Super portable design sets up in seconds; breaks down into two parts and stows in the heavy-duty tote bag (included).

**FLOP STOP HANDLEBAR HOLDER**  
Keep your handlebars and front wheel from moving during repairs. Attach Flop Stop between the seat post and handlebars. You won't know what you did without it!



PRODUCT MANUAL FOR:

**SPRINT  
WORK  
STAND**

Parts and Set-up  
Warranty Information  
Accessories & Other Products



**PRO-ELITE REPAIR STAND**  
Innovative "Secure-Lock" features ratchet-action closing and push-button release. Stiff tripod design allows wrenching on flat or uneven surfaces. Stand holds up to 85 lbs. on uneven surfaces. For the full line of Repair Stand models, visit [www.feedbacksports.com](http://www.feedbacksports.com)

**TOOL TRAY**  
Easily attaches to all Feedback Sports Bicycle Repair Stands. Compartments shaped and sized to hold lube, cleaners, tools, brushes, rags and your favorite bicycle repair tools. Special deep basin with drain holds down into two parts and stows in the design sets up in seconds; breaks down into two parts and stows in the heavy-duty tote bag (included).



**TRUING STATION/BASE**  
For a better ride, true or build your own wheels in the Truing Station. Use with base or as an attachment to your repair stand.



**VELO CACHE**  
Aluminum storage stand provides stable and secure organization and display for indoor bicycle storage. 2 or 4 bike versions accommodate all types and sizes of bikes, your accessories and the hoops even bikes with sloping top tubes.

**GEAR STORAGE BASKET**  
Complete your storage station with the Feedback Sports Gear Basket. Deep wrap-around design holds all hold shoes gloves and other items.

**EXPANSION KIT**  
Convert a 2-bike Velo Stand into a 4-bike configuration.

**VELO CACHE EXTRA CRADLE PAIR**  
Add a third level to 2 or 4-bike configurations for storing extra equipment or frames.

## ADDITIONAL PRODUCTS

In its commitment to uncompromising product quality, Feedback Sports provides a limited warranty on all Bicycle Repair and Storage Stands and Accessories. There is a 1-Year Limited Warranty on the Sport-Mechanic Bicycle Repair Stand. This warranty is to the original user/purchaser of the Feedback Sports product. Feedback Sports warrants this product to be free from manufacturing defects. This warranty does not include damage to the product resulting from normal wear and tear, accident, misuse, improper installation or operation or unauthorized repair or alterations. If the product should become defective within the warranty provisions, we will elect to repair or replace it free of charge at our option, including free return postage, provided it is delivered prepaid to Feedback Sports. Proof of purchase must be submitted with the returned product. All products needing to be sent to Feedback Sports for repair or replacement must have a Return Authorization Number and will be returned to the sender un-repaired if one is not included. It is the sender's responsibility to pay for shipment to Feedback Sports. If the product is determined to fall under warranty, Feedback Sports will pay for return shipping to the customer. Please call Feedback Sports for a Return Authorization Number and return instructions at (800) 975-2854 or e-mail: [info@feedbacksports.com](mailto:info@feedbacksports.com). Products will be repaired or replaced at Feedback Sports' discretion. Should Feedback Sports deem a product non-warranty, we will contact the sender for authorization to repair the product and make arrangements for payment.

THE PURCHASER'S/USER'S SOLE REMEDY SHALL BE SUCH REPAIR OR REPLACEMENT AS IS EXPRESSLY PROVIDED ABOVE, AND FEEDBACK SPORTS SHALL IN NO EVENT BE LIABLE FOR ANY INCIDENTAL OR CONSEQUENTIAL DAMAGES ARISING OUT OF THE USE OR INABILITY TO USE THIS PRODUCT FOR ANY PURPOSE WHATSOEVER.

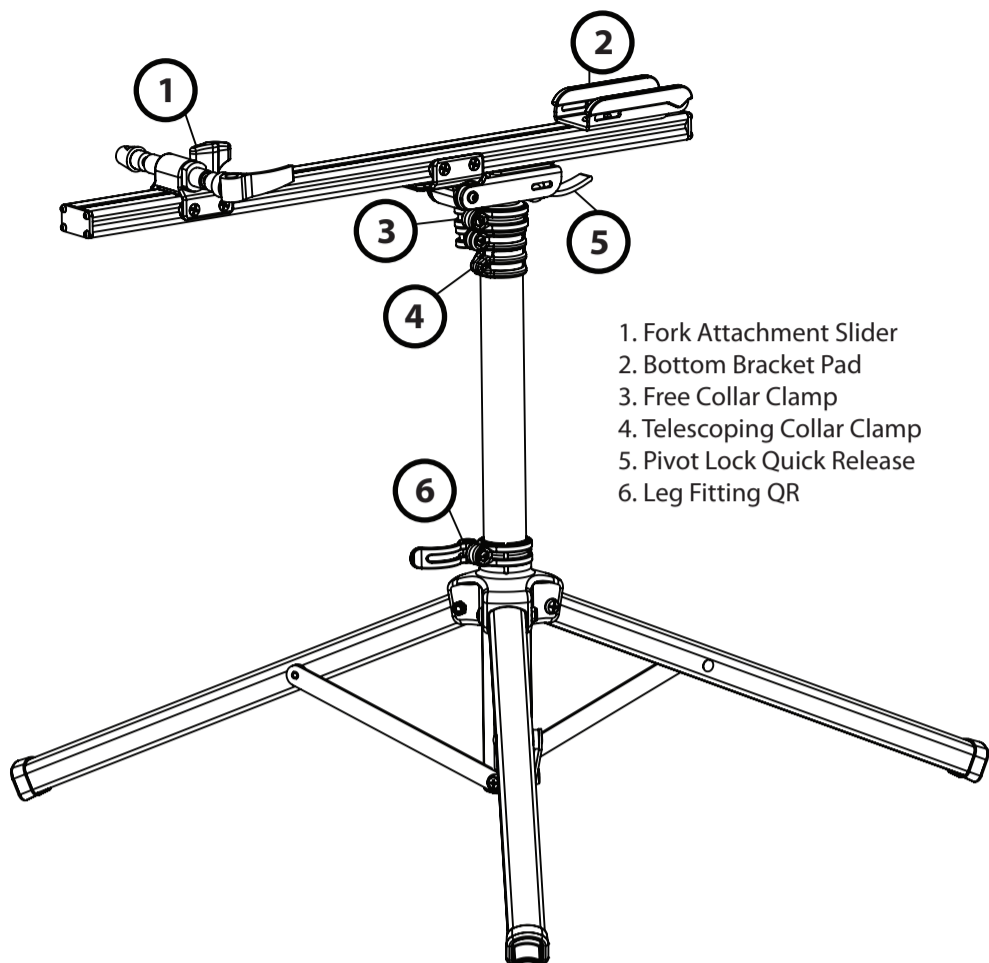
For answers to any questions regarding warranty/service visit website or call Customer Support (800) 975-2854. Some states do not allow the exclusion or limitation of incidental or consequential damages, so the above limitation or exclusion may not apply to you. This warranty gives you specific legal rights, you may also have other rights which vary from state to state.

**Warranty Registration**  
Visit [www.feedbacksports.com](http://www.feedbacksports.com). This is a quick and convenient process for registering your new Feedback Sports product. Warranty Registration and Proof of Purchase are required for warranty fulfillment.

P.O. BOX 1278 GOLDEN, CO 80402  
Phone: (800) 975-2854  
[www.feedbacksports.com](http://www.feedbacksports.com)

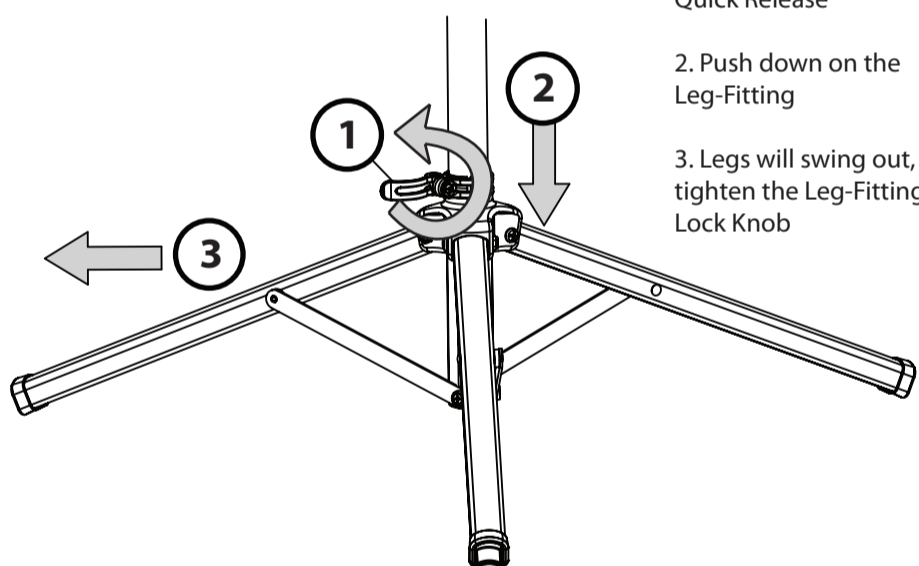
## SET UP FOR SPRINT WORK STAND

### FEATURES



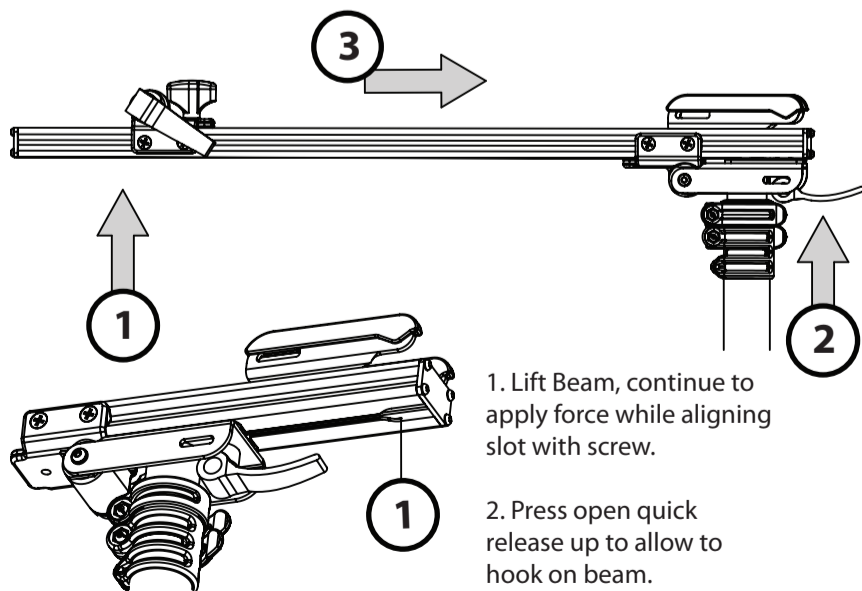
1. Fork Attachment Slider
2. Bottom Bracket Pad
3. Free Collar Clamp
4. Telescoping Collar Clamp
5. Pivot Lock Quick Release
6. Leg Fitting QR

### SET UP \_ UNFOLD THE LEGS



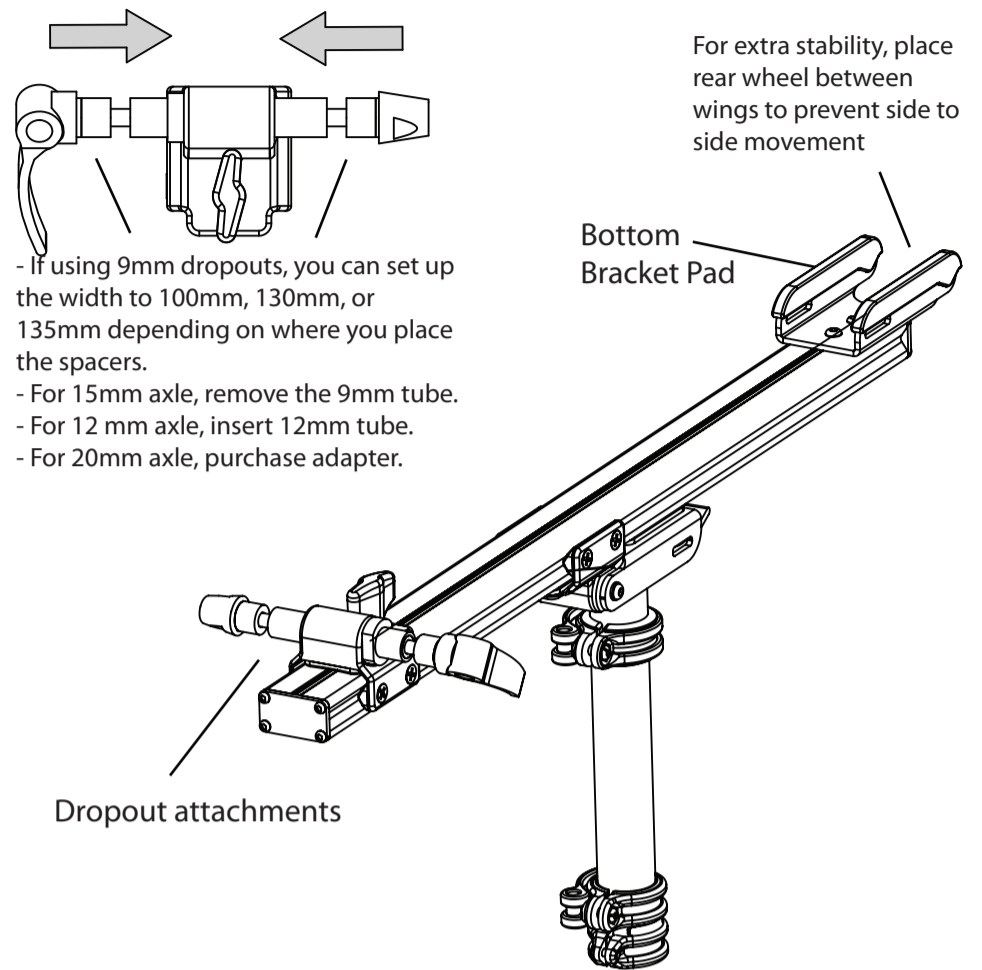
1. Loosen the Leg-Fitting Quick Release
2. Push down on the Leg-Fitting
3. Legs will swing out, tighten the Leg-Fitting Lock Knob

### SET UP \_ UNFOLD THE BEAM



1. Lift Beam, continue to apply force while aligning slot with screw.
2. Press open quick release up to allow to hook on beam.
3. Once beam is engaged with screw, slide beam towards rear and tighten quick release to lock.

### SET UP \_ PLACING YOUR BIKE



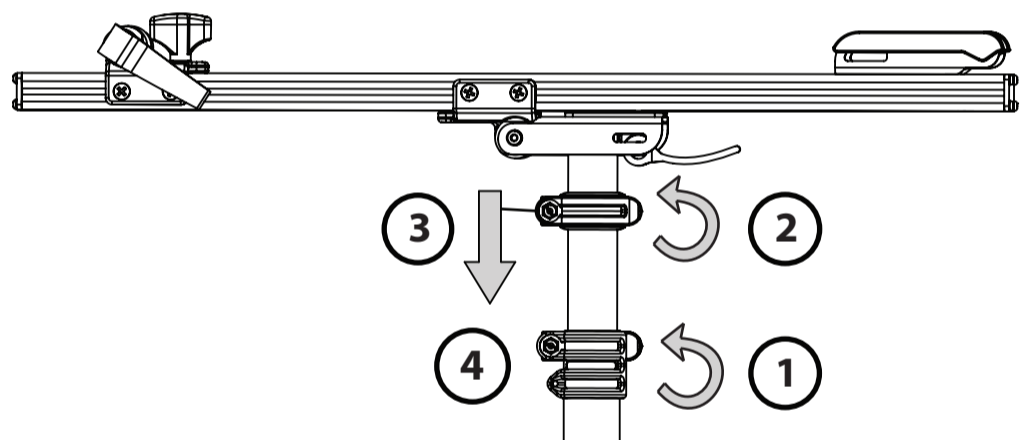
- If using 9mm dropouts, you can set up the width to 100mm, 130mm, or 135mm depending on where you place the spacers.
- For 15mm axle, remove the 9mm tube.
- For 12 mm axle, insert 12mm tube.
- For 20mm axle, purchase adapter.

For extra stability, place rear wheel between wings to prevent side to side movement

Bottom Bracket Pad

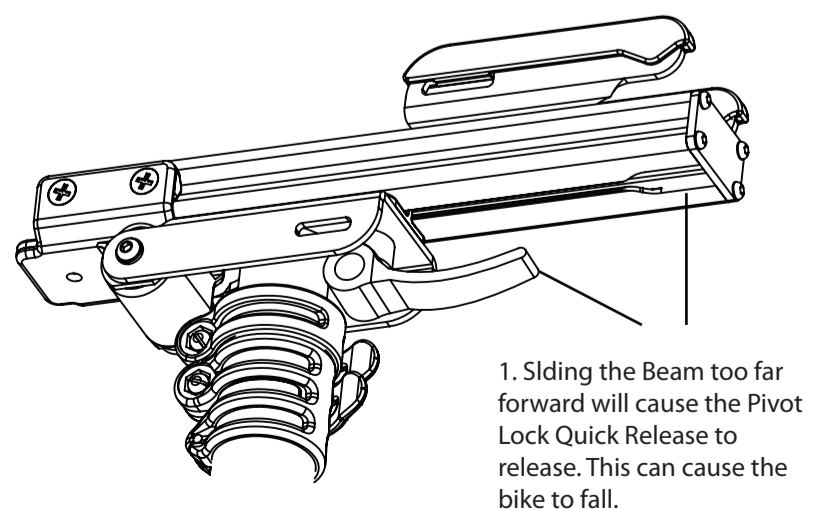
Dropout attachments

### SET UP \_ ENABLE SPINNING FUNCTION



1. Loosen the Telescoping Collar Clamp, set to working height
2. Loosen the Free Collar Clamp
3. Slide Free Collar directly on top of the Telescoping Collar. Lock in place
4. Release the Telescoping Collar. The beam will be available to spin allowing easier access to all sides of the bike

### WARNING!!! DO NOT SLIDE BEAM TO OPENING



1. Sliding the Beam too far forward will cause the Pivot Lock Quick Release to release. This can cause the bike to fall.