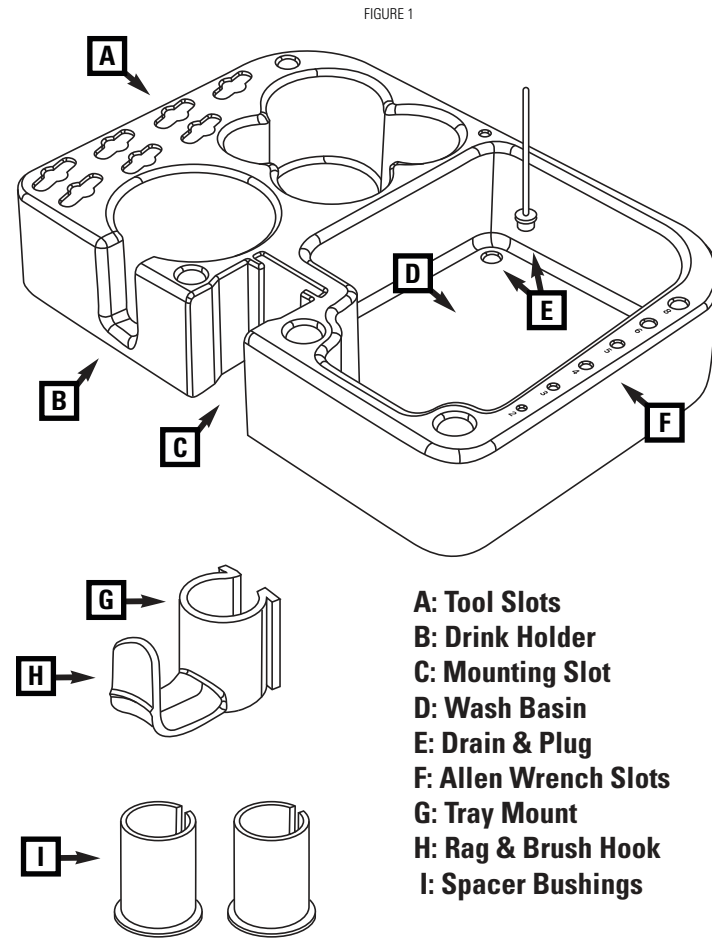
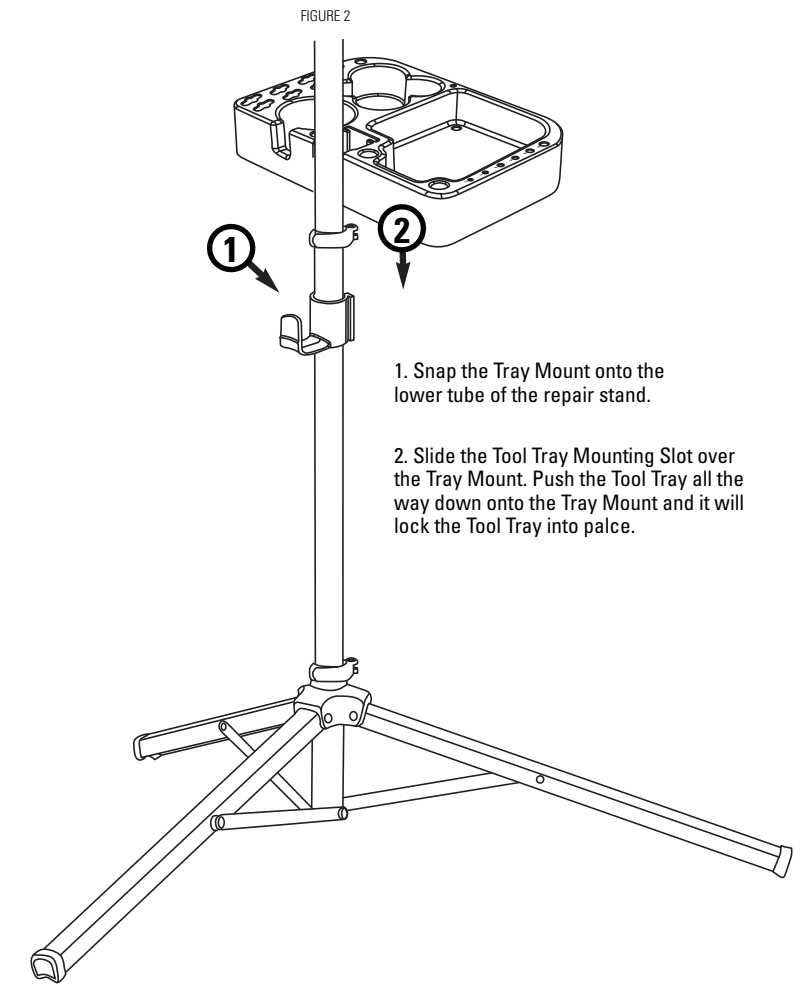


P.O. BOX 1278 GOLDEN, CO 80402  
 Phone: (800) 975-2854  
 www.feedbacksports.com

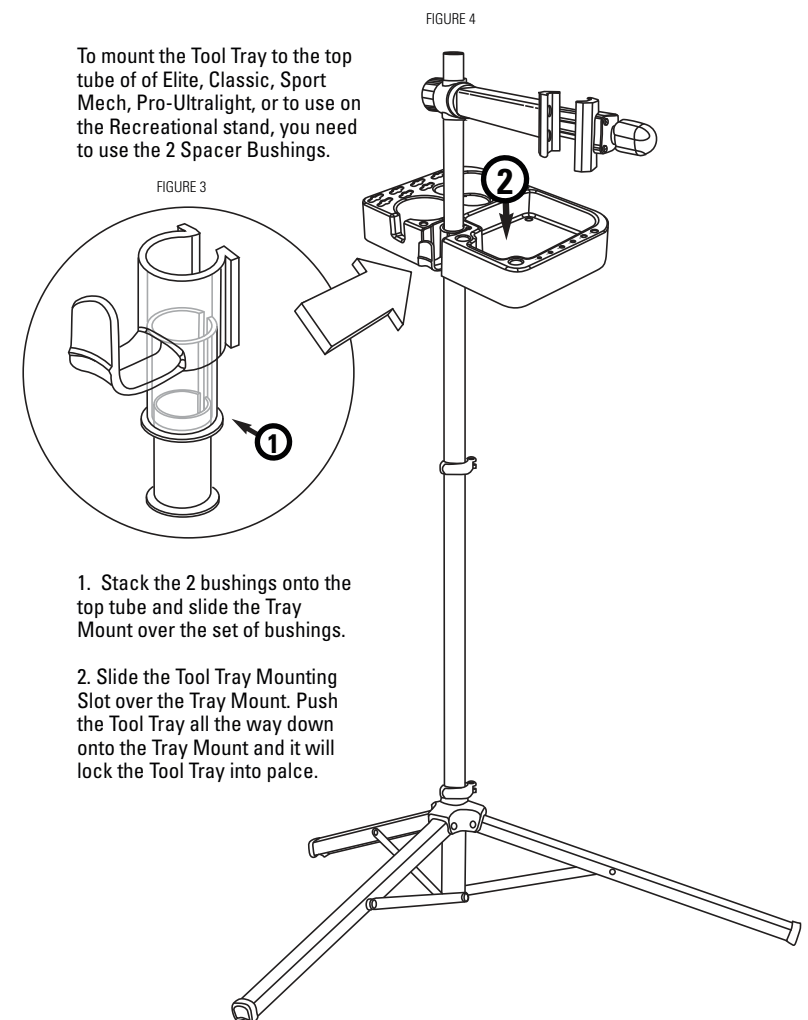
**PARTS & FEATURES**



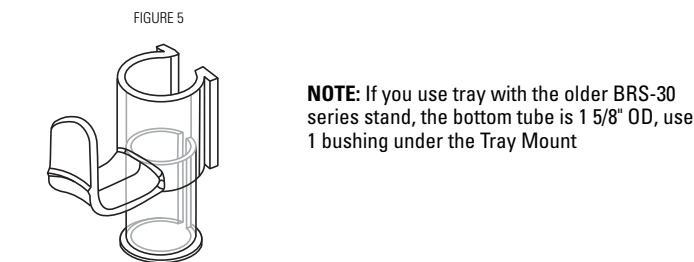
**MOUNTING THE TOOL TRAY**



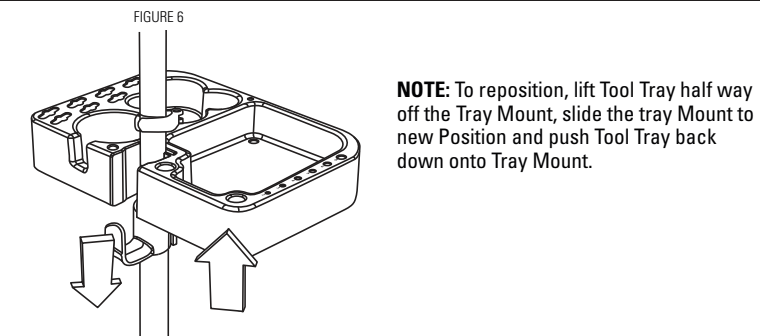
**MOUNTING THE TOOL TRAY TO THE TOP TUBE**



**MOUNTING TO OTHER STANDS**



**ADJUSTING THE TOOL TRAY**



In its commitment to uncompromising product quality, Feedback Sports provides a limited warranty on all Bicycle Repair and Storage Stands and Accessories. There is a 1-Year Limited Warranty on the Tool Tray. This warranty is to the original user/purchaser of the Feedback Sports product. Feedback Sports warrants this product to be free from manufacturing defects. This warranty does not include damage to the product resulting from normal wear and tear, accident, misuse, improper installation or operation or unauthorized repair or alterations. If the product should become defective within the warranty provisions, we will elect to repair or replace it free of charge at our option, including free return postage, provided it is delivered prepaid to Feedback Sports for repair or replacement must be submitted with the returned product All products needing to be sent to Feedback Sports for repair or replacement must have a Return Authorization Number and will be returned to the sender un-repaired if one is not included. It is the sender's responsibility to pay for shipment to Feedback Sports. If the product is determined to fall under warranty, Feedback Sports will pay for return shipping to the customer. Please call Feedback Sports for a Return Authorization Number and return instructions at (800) 975-2854 or e-mail: info@feedbacksports.com Products will be repaired or replaced at Feedback Sports' discretion. Should Feedback Sports deem a product non-warranty, we will contact the sender for authorization to repair the product and make arrangements for payment.

THE PURCHASER'S/SUSER'S SOLE REMEDY SHALL BE SUCH REPAIR OR REPLACEMENT AS IS EXPRESSLY PROVIDED ABOVE, AND FEEDBACK SPORTS SHALL IN NO EVENT BE LIABLE FOR ANY INCIDENTAL OR CONSEQUENTIAL DAMAGES ARISING OUT OF THE USE OR INABILITY TO USE THIS PRODUCT FOR ANY PURPOSE WHATSOEVER. For answers to any questions regarding warranty/service visit website or call Customer Support (800) 975-2854. Some states do not allow the exclusion or limitation of incidental or consequential damages, so the above limitation or exclusion may not apply to you. This warranty gives you specific legal rights, you may also have other rights which vary from state to state.

**Warranty Registration**  
 Visit [www.feedbacksports.com](http://www.feedbacksports.com). This is a quick and convenient process for registering your new Feedback Sports product. Warranty Registration and Proof of Purchase are required for warranty fulfillment.



PRODUCT MANUAL FOR:  
**TOOL TRAY**

Parts and Set-up  
 Warranty Information  
 Accessories & Other Products

FEEDBACK SPORTS, LLC  
 GOLDEN, COLORADO  
[www.feedbacksports.com](http://www.feedbacksports.com)  
 1(800) 975-2854 info@feedbacksports.com