



DOCUMENT # 17550_REV_A
PRODUCT ITEM # 16850

PRODUCT MANUAL FOR:

VELO WALL POST [Bicycle Storage]

Specifications

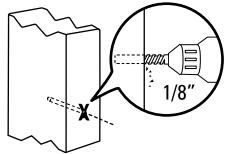
Usable length: 12" (30.5cm)
Capacity: 50lbs (22.7kg) total load

3-YEAR WARRANTY

Visit: www.feedbacksports.com/warranty/ for more information.

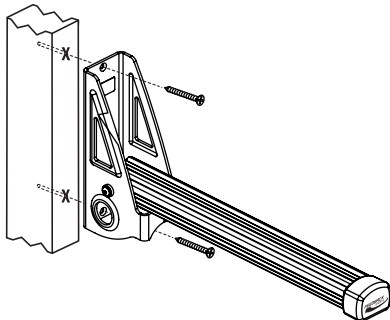
SET UP_STEP 1_PRE DRILL MOUNTING LOCATION

1. Locate the wall stud. Velo Wall Post must be mounted into a stud.
2. Use the Velo Wall Post to mark the hole locations.
3. Use a 1/8"(3mm) drill bit to pre drill pilot holes.



SET UP_STEP 2_MOUNT VELO WALL POST

1. Line the wall plate up with pilot holes.
2. Install the 2 heavy duty screws (included), tighten firmly.



DOCUMENT # 17550_REV_A
PRODUCT ITEM # 16850

PRODUCT MANUAL FOR:

VELO WALL POST [Bicycle Storage]

Specifications

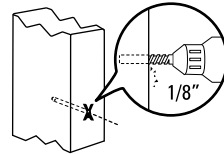
Usable length: 12" (30.5cm)
Capacity: 50lbs (22.7kg) total load

3-YEAR WARRANTY

Visit: www.feedbacksports.com/warranty/ for more information.

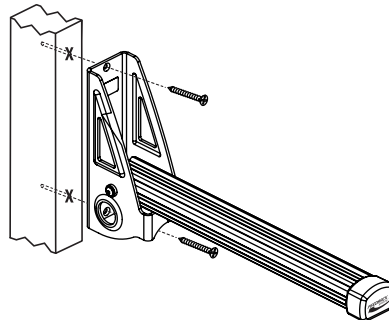
SET UP_STEP 1_PRE DRILL MOUNTING LOCATION

1. Locate the wall stud. Velo Wall Post must be mounted into a stud.
2. Use the Velo Wall Post to mark the hole locations.
3. Use a 1/8"(3mm) drill bit to pre drill pilot holes.



SET UP_STEP 2_MOUNT VELO WALL POST

1. Line the wall plate up with pilot holes.
2. Install the 2 heavy duty screws (included), tighten firmly.



DOCUMENT # 17550_REV_A
PRODUCT ITEM # 16850

PRODUCT MANUAL FOR:

VELO WALL POST [Bicycle Storage]

Specifications

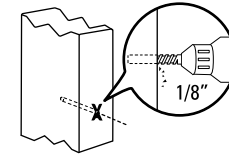
Usable length: 12" (30.5cm)
Capacity: 50lbs (22.7kg) total load

3-YEAR WARRANTY

Visit: www.feedbacksports.com/warranty/ for more information.

SET UP_STEP 1_PRE DRILL MOUNTING LOCATION

1. Locate the wall stud. Velo Wall Post must be mounted into a stud.
2. Use the Velo Wall Post to mark the hole locations.
3. Use a 1/8"(3mm) drill bit to pre drill pilot holes.



SET UP_STEP 2_MOUNT VELO WALL POST

1. Line the wall plate up with pilot holes.
2. Install the 2 heavy duty screws (included), tighten firmly.

