



PRODUCT MANUAL FOR:  
**PRO TRUING STAND**  
**[Wheel and Rotor Service Station]**



#### Specifications

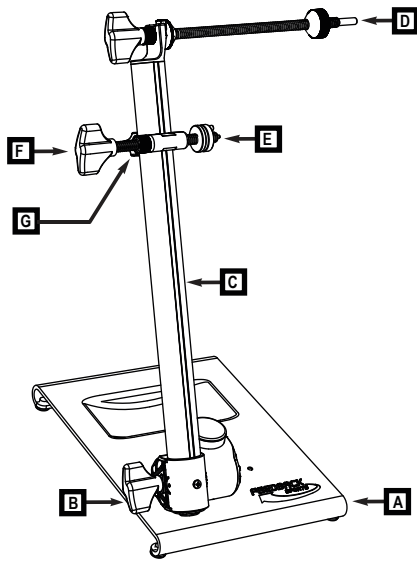
Dimensions: 11" X 10.75" X 19.5" (28cm X 27cm X 50cm)  
Capacity: Up to 29" wheel with tire mounted. 10mm-20mm thru axles up to 157mm wide.

#### 3-YEAR WARRANTY

Feedback Sports Warranty warrants this product to be free from manufacturing defects for a period of 3 years. This warranty does not include damage to the product resulting from normal wear and tear, accident, misuse, improper installation or operation or unauthorized repair or alterations. If the product should become defective within the warranty provisions, we will elect to repair or replace it free of charge at our option, including free return postage, provided it is delivered prepaid to Feedback Sports. Proof of purchase must be submitted with the returned product. All products needing to be sent to Feedback Sports for repair or replacement must have a Return Authorization Number and will be returned to the sender un-repaired if one is not included. It is the sender's responsibility to pay for shipment to Feedback Sports. If the product is determined to fall under warranty, Feedback Sports will pay for return shipping to the customer. Please call Feedback Sports for a Return Authorization Number and return instructions at 720-536-2369 or e-mail: [tech@feedbacksports.com](mailto:tech@feedbacksports.com). Products will be repaired or replaced at Feedback Sports' discretion. Should Feedback Sports deem a product non-warranty, we will contact the sender for authorization to repair the product and make arrangements for payment. Feedback Sports Warranty is not transferable, the warranty is no longer valid to anyone other than the original purchaser.

## FEATURES

- A: Base  
 B: Swivel Bracket Assembly  
 C: Mast Assembly  
 D: Wheel Adapter  
 E: Indicator Assembly  
 F: Z-knob with Indicator Tip  
 G: Indicator Lock Nut



## SERVICE PARTS

- (B) #16523: Swivel Bracket Kit  
 (D) #16891: Wheel Adapter  
 (E) #16797: Indicator Assembly  
 (F) #16814: Z-knob with Indicator Tip

## SET UP\_STEP 1\_INSTALL THE MAST TO BASE (UNBOXING)

1. Remove Mast Assembly (C) and flip 180 degrees. (FIG.1)
2. Slide the Mast Assembly (C) over the Base (A). (FIG.2)

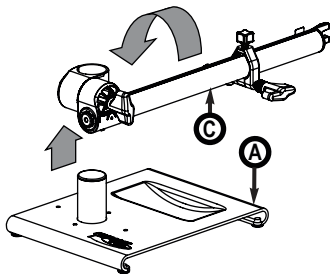


FIG. 1

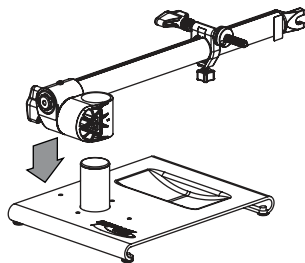


FIG. 2

## SET UP\_STEP 2\_INSTALL THE MAST TO BASE

2. Adjust Mast Assembly (C) angle as needed. (FIG.3)
3. Tighten the Swivel bracket Assembly (B) Z knob.
4. If using the wheels quick release axle, skip to 'FUNCTIONALITY\_TRUING INDICATORS'.

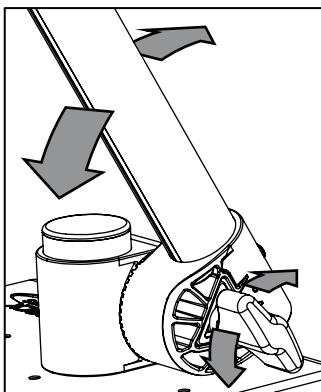
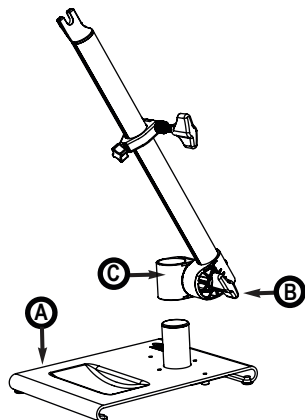


FIG. 3



For additional product information visit: [www.Feedbacksports.com](http://www.Feedbacksports.com)

## SET UP\_STEP 3\_INSTALL THE WHEEL ADAPTER

1. Slide the Wheel Adapter (D) into the Mast Assembly (C).
2. Align the notch of the Wheel Adapter with the slot on the Mast. (FIG. 2)
3. Tighten the Wheel Adapter's (D) Z-knob.

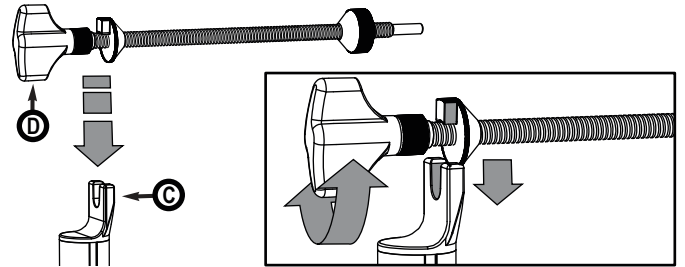


FIG. 2

## FUNCTIONALITY\_PLACING WHEEL ON STAND

1. Remove conical wheel support.
2. Place the wheel over the Wheel Adapter (D).
3. Tighten the conical wheel support against the wheel. Ensure the wheel is centered on both conical supports. (FIG.4)

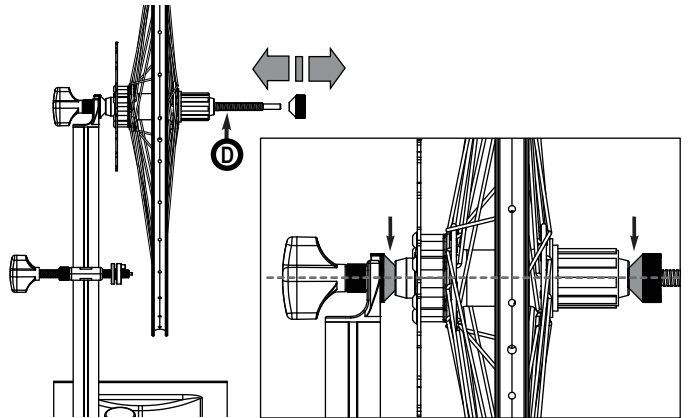
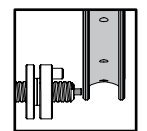
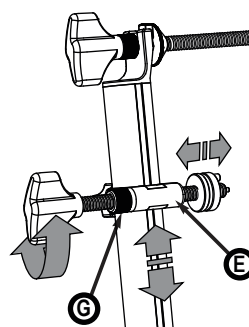


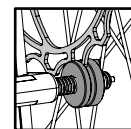
FIG. 4

## FUNCTIONALITY\_TRUING INDICATORS

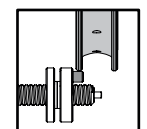
1. Position Indicator Assembly (E) as needed.
2. Tighten Indicator Lock Nut (G)



Lateral indicator  
Spring tip indicator



Rotor indicator  
Disc truing slot



Radial indicator  
Check wheel hop

## FUNCTIONALITY\_MODULAR

Secures to the top of all Feedback Sports upright repair stands.

